

PROFINE® VIOLET
TEMPORARY HARDNESS REDUCTION

Profine®
water filtering cartridge



Profine® filter cartridge

The **Profine® Violet** is the Cartridge for Ho.Re.Ca. and Coffee Machines

Add prestige to your hotel and restaurant facilities.

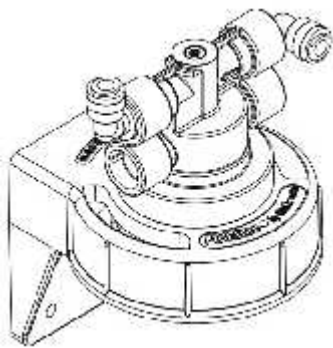
Use **Violet** with its carboxyl ion exchange resin that reduces the temporary hardness of Water.

Completely removes limestone deposits due to scale

The **Violet** protects you and your equipment

Features

- **PROFINE® VIOLET** designed to reduce the temporary hardness of drinking water.
- Quick-connect cartridge with carboxylic weak cation resin mixed with granular carbon, featuring final carbon block stage with silver ions.
- If the cartridge is used in food processing equipment, the whole system must comply the EU regulation 178/2002.
- Must be installed upright



Dimensions

External diameter: 87.4 mm

Small cartridge height: 269 mm

Medium cartridge height: 384 mm

Large cartridge height: 529 mm

TECHNICAL SPECIFICATIONS

A.P.Laquaforce Services Ltd





Agathonos 9, Ypsonas - Limassol

T: 7777 2782 – F:+357 25755540

www.laquaforce.com – info@laquaforce.com

	SMALL	MEDIUM	LARGE
Function flow rate	1,3 l/min *	2 l/min *	2,5 l/min *
Working pressure	Min. 29 – Max. 87 Psi	Min. 29 – Max. 87 Psi	Min. 29 – Max. 87 Psi
Temperature	Min. 4 Max. 30°C (39-86°F)	Min. 4 Max. 30°C (39-86°F)	Min. 4 Max. 30°C (39-86°F)

CARTRIDGE REPLACEMENT INSTRUCTIONS

			
Close the water inlet valve and open the outlet valve.	Turn the cartridge a ¼ turn to the left and pull it out.	Remove the cap seal and moisten the O-rings with water. Push the cartridge up and turn it a ¼ turn to the right.	Open the water inlet valve and allow the water to run for 5 minutes before taking any water

Theoretical capacity according to nominal ion-exchange resin capacity

LARGE		CAPACITY WITH	CAPACITY WITH	CAPACITY WITH
Hardness		by pass 0%	by pass 10%	by pass 40%
°F	°dH	1	2	3
10	6	5.994	6.660	9.990
15	8	3.996	4.440	6.660
20	11	2.997	3.300	4.995
25	14	2.398	2.664	3.996
30	17	1.998	2.220	3.330
35	20	1.713	1.903	2.854
40	22	1.499	1.665	2.498

A.P.Laquaforce Services Ltd

Agathonos 9, Ypsonas - Limassol

T: 7777 2782 – F:+357 25755540

www.laquaforce.com – info@laquaforce.com